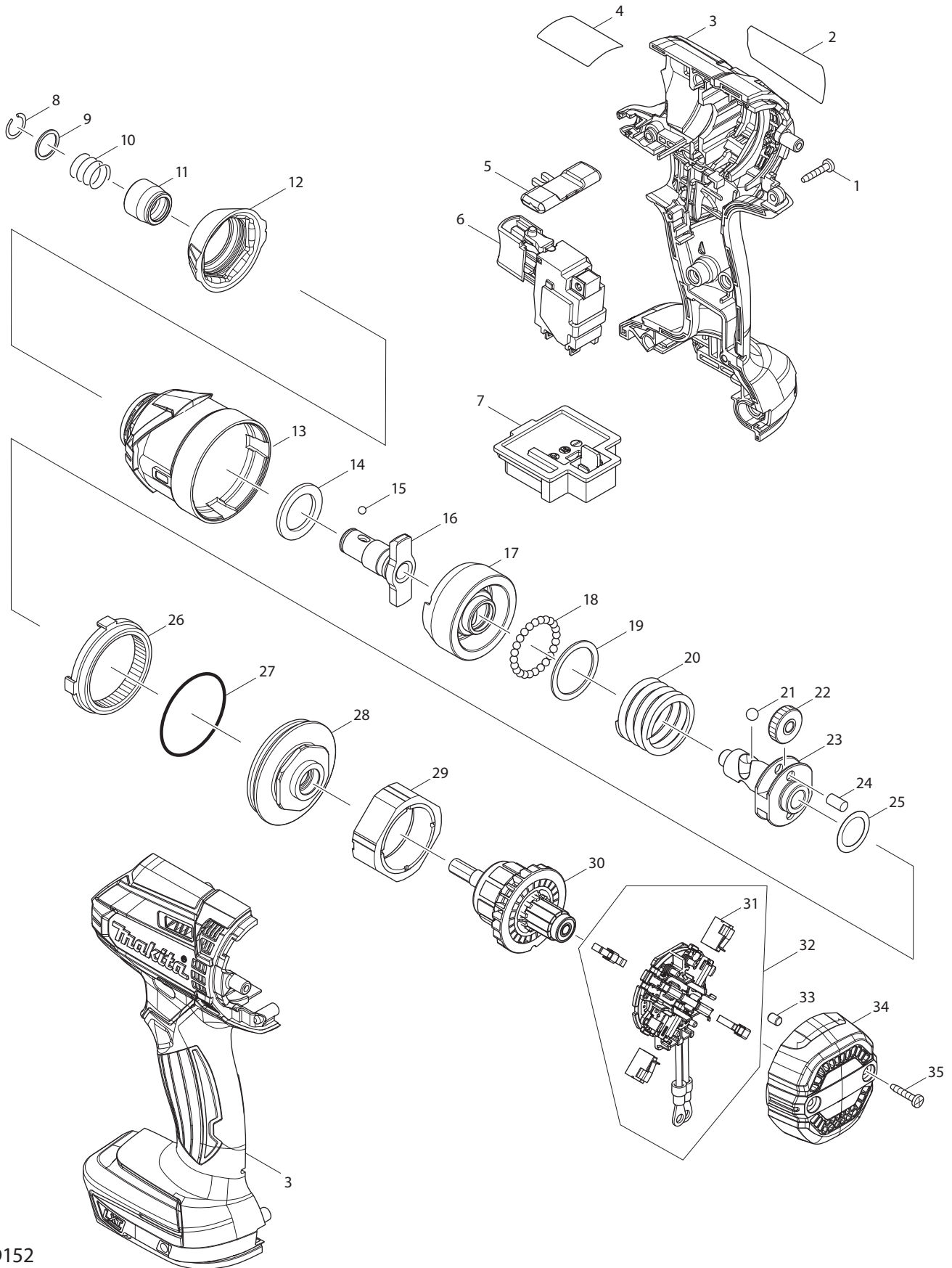




07 - 2015  
DTD152RFE / DTD152SYE / DTD152Z  
18V LXT 1/4" Impact Driver



## PARTS LIST

Item No	Type	Part No	Description	Qty	Unit
001		266429-2	TAPPING SCREW 3X16	8	PC.
002		851E29-7	NAME PLATE DTD152	1	PC.
003		183B63-4	HOUSING SET	1	PC.
003	INC.	263005-3	RUBBER PIN 6	2	PC.
004		806W83-4	CAUTION LABEL	1	PC.
005		455053-8	F/R CHANGE LEVER	1	PC.
006		650751-1	SWITCH	1	PC.
006	INC.	620445-2	LED CIRCUIT	1	PC.
007		643852-2	TERMINAL	1	PC.
008		231951-8	RING SPRING 11	1	PC.
009		267085-1	FLAT WASHER 12	1	PC.
010		233005-7	COMPRESSION SPRING 13	1	PC.
011		326068-1	BIT SLEEVE	1	PC.
012		424738-7	BUMPER	1	PC.
013		143299-5	HAMMER CASE COMPLETE	1	PC.
014		261151-6	NYLON WASHER 19	1	PC.
015		216040-0	STEEL BALL 3.5	2	PC.
016		326563-1	ANVIL M	1	PC.
017		326564-9	HAMMER	1	PC.
018		216040-0	STEEL BALL 3.5	24	PC.
019		267175-0	FLAT WASHER 24	1	PC.
020		234251-5	COMPRESSION SPRING 25	1	PC.
021		216041-8	STEEL BALL 5.6	2	PC.
022		227362-3	SPUR GEAR 22	2	PC.
023		326562-3	SPINDLE	1	PC.
024		256253-1	PIN 5	2	PC.
025		253314-8	THIN WASHER 15	1	PC.
026		227378-8	INTERNAL GEAR 51	1	PC.
027		213507-9	O RING 40	1	PC.
028		143298-7	BEARING BOX COMPLETE	1	PC.
029	2	632F93-1	YOKE UNIT	1	PC.
029	3	632U16-9	YOKE UNIT	1	PC.
030		619377-8	ARMATURE	1	PC.
031		196855-0	CARBON BRUSH CB-448 2/PC SET W/ORIGIN	2	SET
032		632F23-2	BRUSH HOLDER COMPLETE	1	PC.
032	INC.		Item No. 31		
033		263032-0	RUBBER PIN 4	4	PC.
034		456044-2	REAR COVER	1	PC.

Item No	Type	Part No	Description	Qty	Unit
035		266429-2	TAPPING SCREW 3X16	2	PC.
100		266622-8	+ TRUSS HEAD SCREW M4X12 F/ HOOK (Item No A01)	1	PC.
A01		346449-3	HOOK	1	PC.
A03		----	18V LI-ION BATTERY		
A04		----	BATTERY CHARGER		
A05		450128-8	BATTERY COVER		
A06		763067-6	3/8" DRILL CHUCK	1	PC.
A07		763415-9	CHUCK KEY (F/DRILL CHUCK #763067-6)	1	PC.
A08		192077-0	3/8" KYLS DRILL CHUCK ATTCHMENT	1	PC.
A08		194250-8	3/8" KYLS DRILL CHUCK ATTCHMENT	1	PC.
A09		191881-4	3/8" DRILL CHUCK ATTCHMENT	1	PC.
A10		784643-3	CONNECT BIT 6.35-44 (F/DRILL CHUCK)	1	PC.
A11		194633-2	ADJUSTABLE DEPTH GAUGE SET (STOPPER)	1	PC.
A12		197043-2	TOOL CATCHER SET	1	PC.
A13		824812-5	PLASTIC CARRYING CASE	1	PC.
A13		832071-7	TOOL BAG S	1	PC.
C01		821D57-0	CARTON F/DTD152Z	1	PC.
C02		818N17-1	CARTON LABEL F/DTD152Z	1	PC.
D01		652045-0	+PAN HEAD SCREW M3.5X5	2	PC.
F03		194649-7	STOPPER SET	1	PC.
F04		194649-7	BATTERY PROTECTOR	1	PC.
F04	INC.	251314-2	+ SCREW M4X12	2	PC.